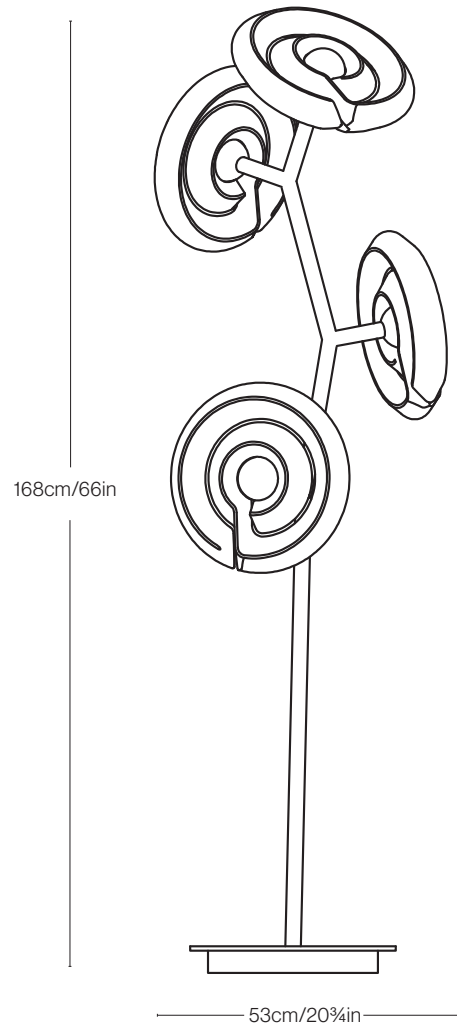




Sunflower H | SPECSHEET

kooij.com
office@kooij.com
+31 (0) 20 247 9600



DIMENSIONS

L 70cm/27½in
W 53cm/20¾in
H 168cm/66in

WEIGHT

25kg/55lbs

MATERIALS

Recycled plastic, steel

COLOUR

Due to the recycled nature of our transparent source material, no two units will have an identical tint.

ADJUSTMENT

Angle of each lamp can be manually adjusted by swivelling shade around suspension ball.

BASE

Ø45cm/18in, textured off-black powder-coat finish

CORD

300cm/118in with EU or US plug. Other plugs are available upon request.

ILLUMINATION

Replaceable LED modules
Maximum power consumption: 86 Watts
Light output: 8600 Lumens
Colour Temperature: 2700K, 95+ CRI
Life Hours: 50.000

POWER SUPPLY

Integrated in base
Input: 115VAC 0.7A, 230VAC 0.45A
50/60Hz

DIMMING

Dimming hardware is built into the Sunflower, controlled by a footswitch on the baseplate

COMPLIANCE

CE, transformers (100-240V to 24V) comply with UL standards

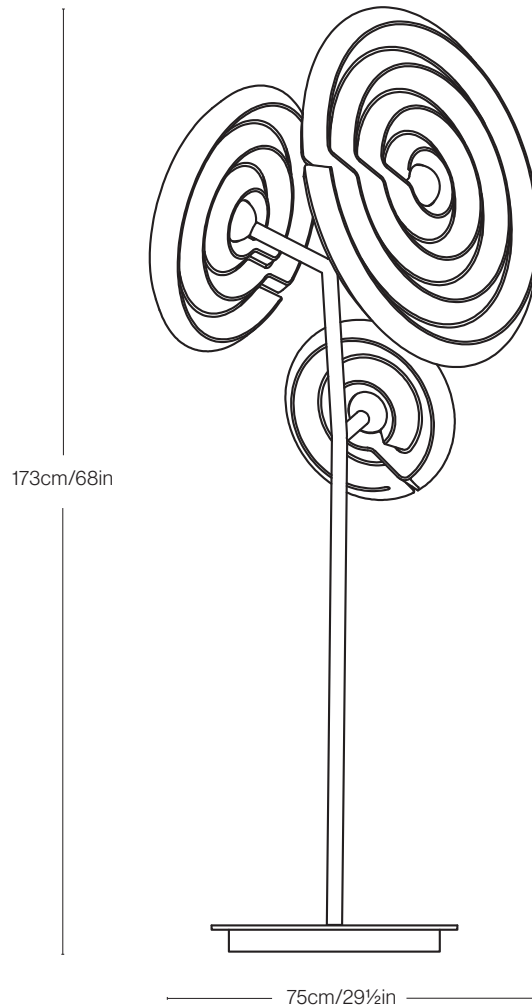
CARE

Please ensure that the plastic never comes into contact with acetone or other chemical cleaners. Regular dusting is recommended. Not suitable for use outdoors.



Sunflower YM | SPECSHEET

kooij.com
office@kooij.com
+31 (0) 20 247 9600



DIMENSIONS

L75cm/29 1/2in
W75cm/29 1/2in
H173cm/68in

WEIGHT

30kg/66lbs

MATERIALS

Recycled plastic, steel

COLOUR

Due to the recycled nature of our transparent source material, no two units will have an identical tint.

ADJUSTMENT

Angle of each lamp can be manually adjusted by swivelling shade around suspension ball.

BASE

Ø45cm/18in, textured off-black powder-coat finish

CORD

300cm/118in with EU or US plug. Other plugs are available upon request.

ILLUMINATION

Replaceable LED modules
Maximum power consumption: 86 Watts
Light output: 8600 Lumen
Colour Temperature: 2700K, 95+ CRI
Life Hours: 50.000

POWER SUPPLY

Integrated in base
Input: 115VAC 0.7A, 230VAC 0.45A
50/60Hz

DIMMING

Dimming hardware is built into the Sunflower, controlled by a foot-switch on the baseplate

COMPLIANCE

CE, transformers (100-240V to 24V) comply with UL standards

CARE

Please ensure that the plastic never comes into contact with acetone or other chemical cleaners. Regular dusting is recommended. Not suitable for use outdoors.