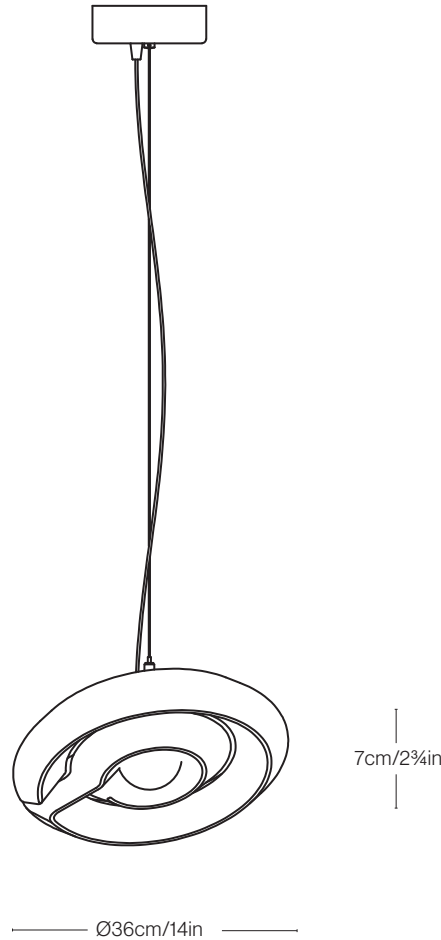




# Fresnel S | SPECSHEET

kooij.com  
office@kooij.com  
+31 (0) 20 247 9600



## DIMENSIONS

Ø36cm/14 in  
H7cm/2¾in

## WEIGHT

2kg/4½lbs

## MATERIALS

Recycled plastic, aluminium

## COLOUR

Due to the recycled nature of our transparent source material, no two units will have an identical tint.

## ADJUSTMENT

Angle of lamp can be manually adjusted by swivelling shade around suspension ball.

## SUSPENSION

Adjustable on site up to 300cm/118in. Longer cables can be supplied upon request.

## CANOPY

Ø18cm/7in, 1.5kg/3lbs, tumbled aluminium finish

## ILLUMINATION

Replaceable LED modules  
Max power consumption:  
46 Watts  
Light output: 4600 Lumens  
Color temperature: 2700K  
95+ CRI  
Life hours 50.000

## POWER SUPPLY

Integrated in canopy (multiple light power supply available by request)  
Input: 120-277VAC, 0,6A, 50/60HZ  
TRIAC/ELV/0-10V dimmable

## DIMMING

The Fresnel is equipped for MAINS dimming (TRIAC) and 0-10V.

## COMPLIANCE

CE, transformers (120-277V to 24V) comply with UL standards

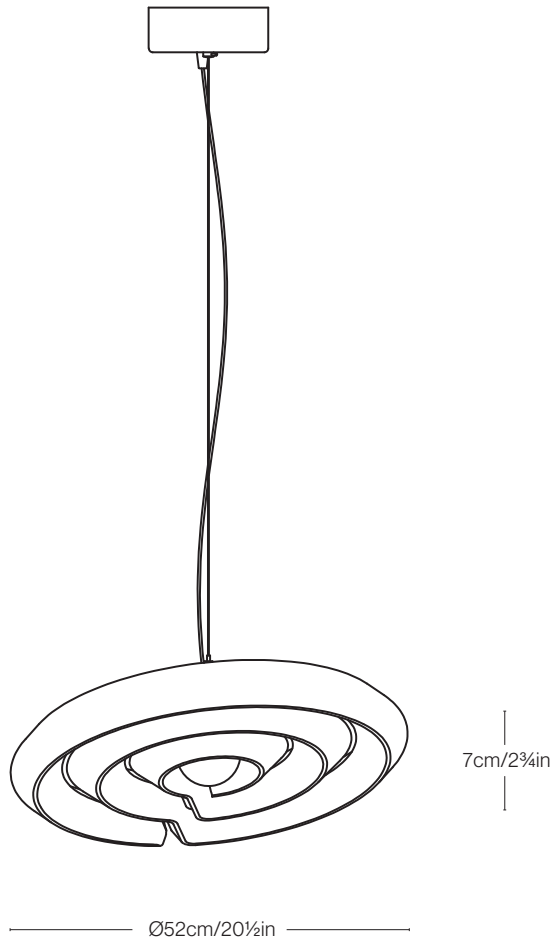
## CARE

Please ensure that the plastic never comes into contact with acetone or other chemical cleaners. Regular dusting is recommended. Not suitable for use outdoors.



# Fresnel M | SPECSHEET

kooij.com  
office@kooij.com  
+31 (0) 20 247 9600



## DIMENSIONS

Ø52cm/20½in  
H7cm/2¾in

## WEIGHT

4kg/9lbs

## MATERIAL

Recycled plastic, aluminium

## COLOUR

Due to the recycled nature of our transparent source material, no two units will have an identical tint.

## ADJUSTMENT

Angle of lamp can be manually adjusted by swivelling shade around suspension ball.

## SUSPENSION

Adjustable on site up to 300cm/118in. Longer cables can be supplied upon request.

## CANOPY

Ø18cm/7in, 1.5kg/3lbs, tumbled aluminium finish

## ILLUMINATION

Replaceable LED modules  
Max power consumption: 46 Watts  
Light output: 4600 Lumens  
Color temperature: 2700K  
95+ CRI  
Life hours 50.000

## POWER SUPPLY

Integrated in canopy (multiple light power supply available by request)  
Input: 120-277VAC, 0,6A, 50/60HZ  
TRIAC/ELV/0-10V dimmable

## DIMMING

The Fresnel is equipped for MAINS dimming (TRIAC) and 0-10V.

## COMPLIANCE

CE, transformers (120-277V to 24V) comply with UL standards

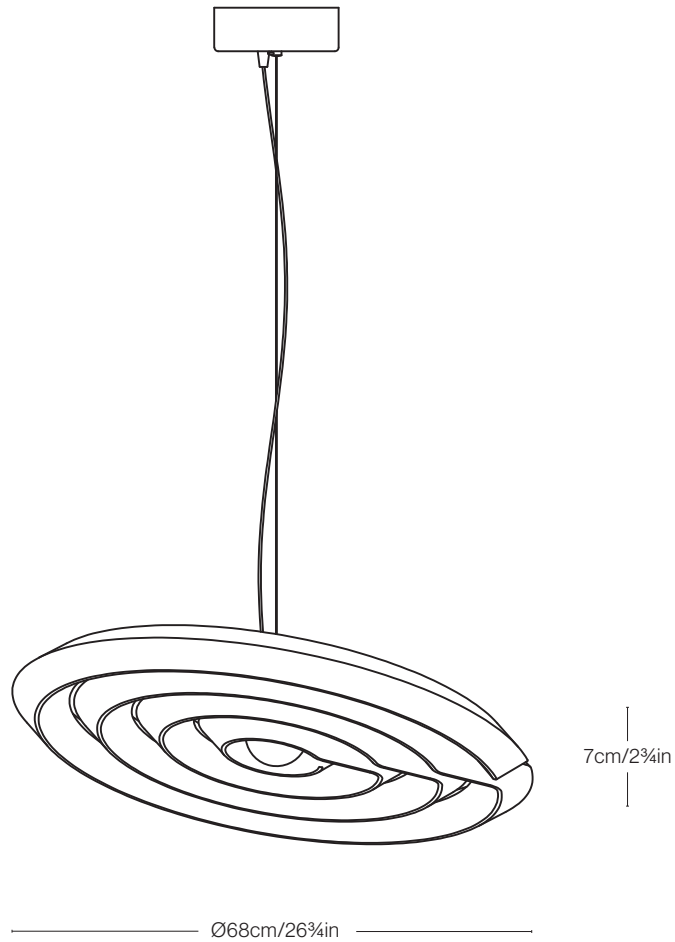
## CARE

Please ensure that the plastic never comes into contact with acetone or other chemical cleaners. Regular dusting is recommended. Not suitable for use outdoors.



# Fresnel L | SPECSHEET

kooij.com  
office@kooij.com  
+31 (0) 20 247 9600



## DIMENSIONS

Ø68cm/26<sup>3</sup>/<sub>4</sub>in  
H7cm/2<sup>3</sup>/<sub>4</sub>in

## WEIGHT

6kg/13.2lbs

## MATERIAL

Recycled plastic, aluminium

## COLOUR

Due to the recycled nature of our transparent source material, no two units will have an identical tint.

## ADJUSTMENT

Angle of lamp can be manually adjusted by swivelling shade around suspension ball.

## SUSPENSION

Adjustable on site up to 300cm/118in. Longer cables can be supplied upon request.

## CANOPY

Ø18cm/7in, 1.5kg/3lbs, tumbled aluminium finish

## ILLUMINATION

Replaceable LED modules  
Max power consumption: 46 Watts  
Light output: 4600 Lumens  
Color temperature: 2700K  
95+ CRI  
Life hours 50.000

## POWER SUPPLY

Integrated in canopy (multiple light power supply available by request)  
Input: 120-277VAC, 0,6A, 50/60HZ  
TRIAC/ELV/0-10V dimmable

## DIMMING

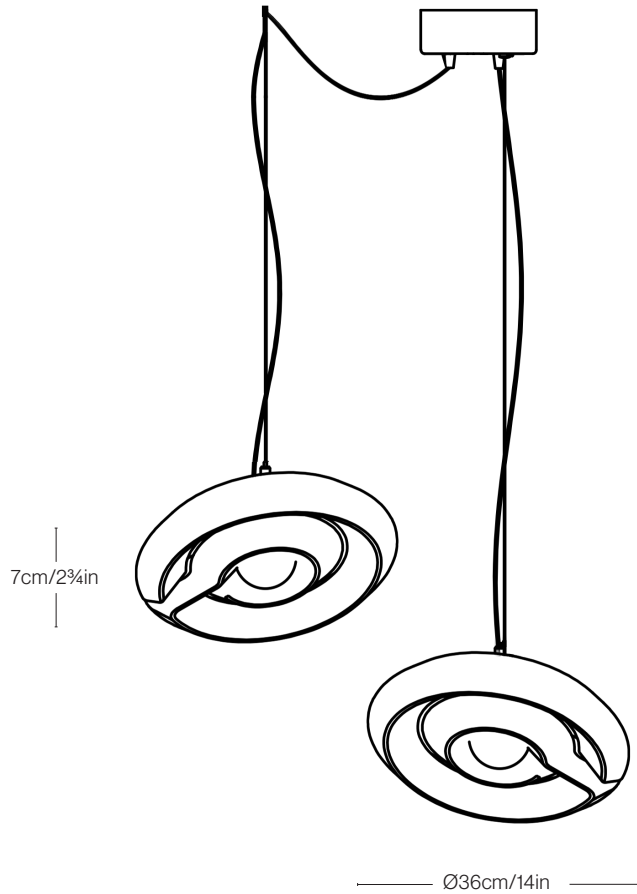
The Fresnel is equipped for MAINS dimming (TRIAC) and 0-10V.

## COMPLIANCE

CE, transformers (120-277V to 24V) comply with UL standards

## CARE

Please ensure that the plastic never comes into contact with acetone or other chemical cleaners. Regular dusting is recommended. Not suitable for use outdoors.



## DIMENSIONS

Ø36cm/14in  
H7cm/2 3/4in  
+  
Ø36cm/14in  
H7cm/2 3/4in

## WEIGHT

2kg/4.4lbs  
+  
2kg/4.4lbs

## MATERIALS

Recycled plastic, aluminium

## COLOUR

Due to the recycled nature of our transparent source material, no two units will have an identical tint.

## ADJUSTMENT

Angle of each lamp can be manually adjusted by swivelling shade around suspension ball.

## SUSPENSION

Adjustable on site up to 300cm/118in. Longer cables can be supplied upon request.

## CANOPY

Ø18cm/7in, 1.5kg/3lbs, tumbled aluminium finish

## ILLUMINATION

Replaceable LED modules  
Max power consumption: 46 Watts  
Light output: 4600 Lumens  
Color temperature: 2700K  
95+ CRI  
Life hours 50.000

## POWER SUPPLY

Integrated in canopy (multiple light power supply available by request)  
Input: 120-277VAC, 0,6A, 50/60HZ  
TRIAC/ELV/0-10V dimmable

## DIMMING

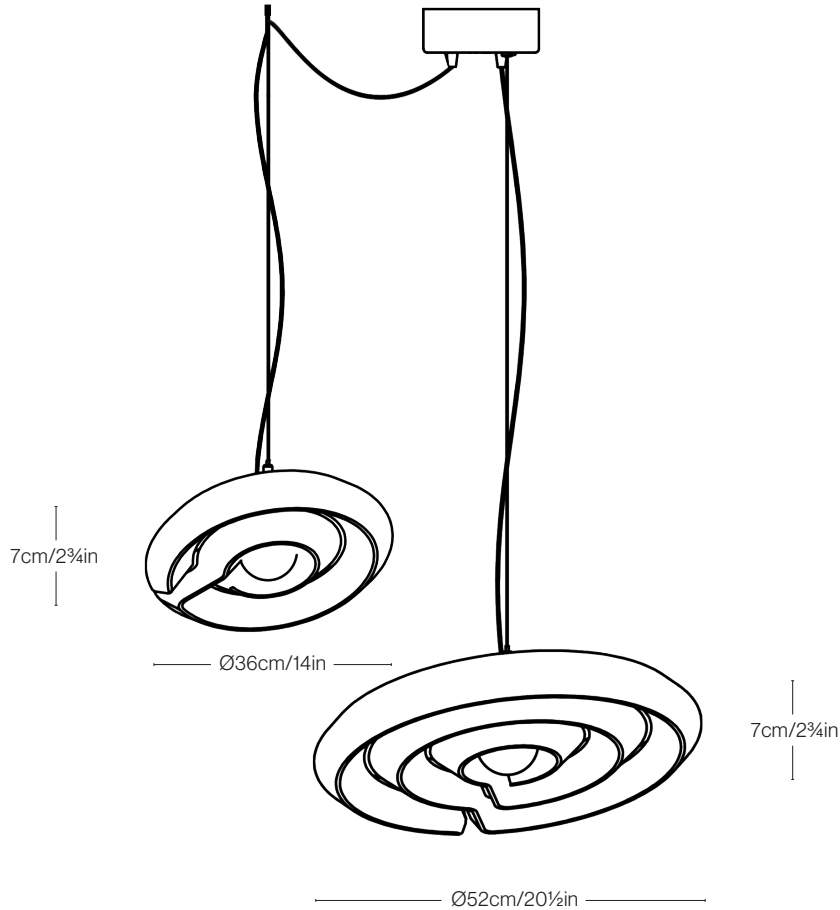
The Fresnel is equipped for MAINS dimming (TRIAC) and 0-10V.

## COMPLIANCE

CE, transformers (120-277V to 24V) comply with UL standards

## CARE

Please ensure that the plastic never comes into contact with acetone or other chemical cleaners. Regular dusting is recommended. Not suitable for use outdoors.



**DIMENSIONS**

Ø36cm/14in  
H7cm/2¾in  
+  
Ø52cm/20½in  
H7cm/2¾in

**WEIGHT**

10kg/22lb

**MATERIALS**

Recycled plastic, aluminium, steel

**COLOUR**

Due to the recycled nature of our transparent source material, no two units will have an identical tint.

**ADJUSTMENT**

Angle of each lamp can be manually adjusted by swivelling shade around suspension ball.

**SUSPENSION**

Adjustable on site up to 300cm/118in. Longer cables can be supplied upon request.

**CANOPY**

Ø21cm/8in, 2.2kg/5lbs, RAL9010 powder-coat finish

**ILLUMINATION**

Replaceable LED modules  
Max power consumption: 46 Watts  
Light output: 4600 Lumens  
Color temperature: 2700K  
95+ CRI  
Life hours 50.000

**POWER SUPPLY**

Integrated in canopy (multiple light power supply available by request)  
Input: 120-277VAC, 0,6A, 50/60HZ  
TRIAC/ELV/0-10V dimmable

**DIMMING**

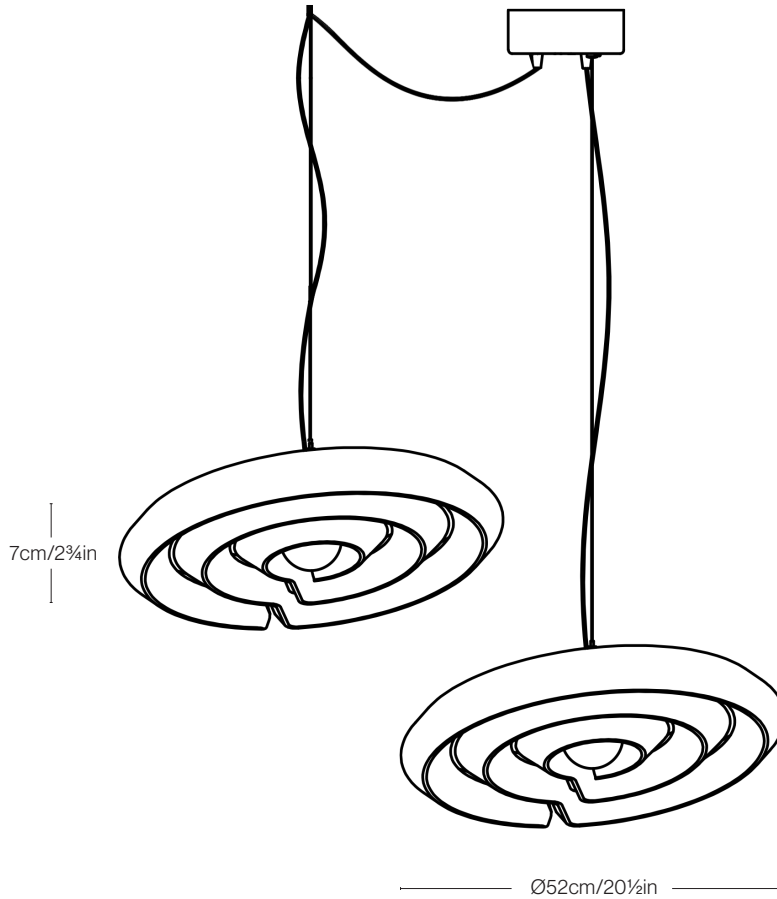
The Fresnel is equipped for MAINS dimming (TRIAC) and 0-10V.

**COMPLIANCE**

CE, transformers (120-277V to 24V) comply with UL standards

**CARE**

Please ensure that the plastic never comes into contact with acetone or other chemical cleaners. Regular dusting is recommended. Not suitable for use outdoors.



**DIMENSIONS**

Ø52cm/20½in  
H7cm/2¾in  
+  
Ø52cm/20½in  
H7cm/2¾in

**WEIGHT**

7kg/15lbs

**MATERIALS**

Recycled plastic, aluminium, steel

**COLOUR**

Due to the recycled nature of our transparent source material, no two units will have an identical tint.

**ADJUSTMENT**

Angle of each lamp can be manually adjusted by swivelling shade around suspension ball.

**SUSPENSION**

Adjustable on site up to 300cm/118in. Longer cables can be supplied upon request.

**CANOPY**

Ø21cm/8in, 2.2kg/5lbs, RAL9010 powder-coat finish

**ILLUMINATION**

Replaceable LED modules  
Max power consumption: 46 Watts  
Light output: 4600 Lumens  
Color temperature: 2700K  
95+ CRI  
Life hours 50.000

**POWER SUPPLY**

Integrated in canopy (multiple light power supply available by request)  
Input: 120-277VAC, 0,6A, 50/60HZ  
TRIAC/ELV/0-10V dimmable

**DIMMING**

The Fresnel is equipped for MAINS dimming (TRIAC) and 0-10V.

**COMPLIANCE**

CE, transformers (120-277V to 24V) comply with UL standards

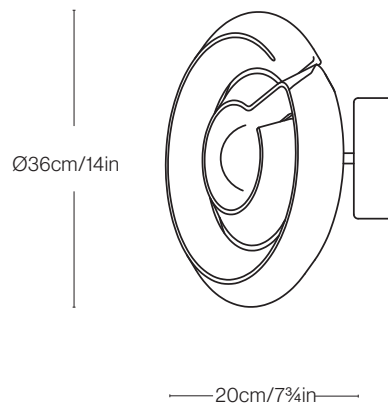
**CARE**

Please ensure that the plastic never comes into contact with acetone or other chemical cleaners. Regular dusting is recommended. Not suitable for use outdoors.



# Fresnel Wall S | SPECSHEET

kooij.com  
office@kooij.com  
+31 (0) 20 247 9600



## DIMENSIONS

Ø36cm/14in  
W20cm/7¾in

## WEIGHT

Light: 2kg/4½lbs

## MATERIALS

Recycled plastic, aluminium

## COLOUR

Due to the recycled nature of our transparent source material, no two units will have an identical tint.

## ADJUSTMENT

Angle of lamp can be manually adjusted by swivelling shade around mounting ball.

## INSTALLATION

Mount directly to wall or ceiling.

## CANOPY

Ø18cm/7in, 1.5kg/3lbs, tumbled aluminium finish

## ILLUMINATION

Replaceable LED modules  
Max power consumption: 46 Watts  
Light output: 4600 Lumens  
Color temperature: 2700K  
95+ CRI  
Life hours 50.000

## POWER SUPPLY

Integrated in canopy (multiple light power supply available by request)  
Input: 120-277VAC, 0,6A, 50/60HZ  
TRIAC/ELV/0-10V dimmable

## DIMMING

The Fresnel is equipped for MAINS dimming (TRIAC) and 0-10V.

## COMPLIANCE

CE, transformers (120-277V to 24V) comply with UL standards

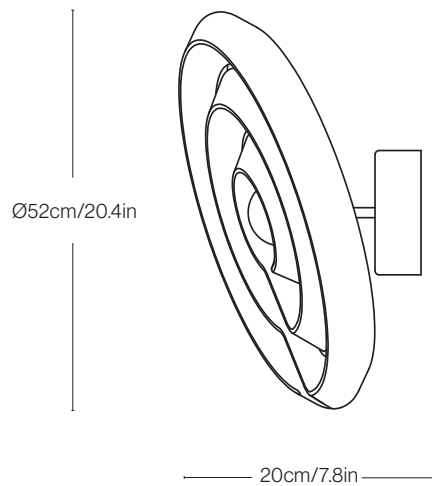
## CARE

Please ensure that the plastic never comes into contact with acetone or other chemical cleaners. Regular dusting is recommended. Not suitable for use outdoors.



# Fresnel Wall M | SPECSHEET

kooij.com  
office@kooij.com  
+31 (0) 20 247 9600



## DIMENSIONS

Ø52cm/20.4in  
W20cm/7.8in

## WEIGHT

Light: 4kg/9lbs

## MATERIALS

Recycled plastic, aluminium

## COLOUR

Due to the recycled nature of our transparent source material, no two units will have an identical tint.

## ADJUSTMENT

Angle of lamp can be manually adjusted by swivelling shade around mounting ball.

## INSTALLATION

Mount directly to wall or ceiling.

## CANOPY

Ø18cm/7in, 1.5kg/3lbs, tumbled aluminium finish

## ILLUMINATION

Replaceable LED modules  
Max power consumption: 46 Watts  
Light output: 4600 Lumens  
Color temperature: 2700K  
95+ CRI  
Life hours 50.000

## POWER SUPPLY

Integrated in canopy (multiple light power supply available by request)  
Input: 120-277VAC, 0,6A, 50/60HZ  
TRIAC/ELV/0-10V dimmable

## DIMMING

The Fresnel is equipped for MAINS dimming (TRIAC) and 0-10V.

## COMPLIANCE

CE, transformers (120-277V to 24V) comply with UL standards

## CARE

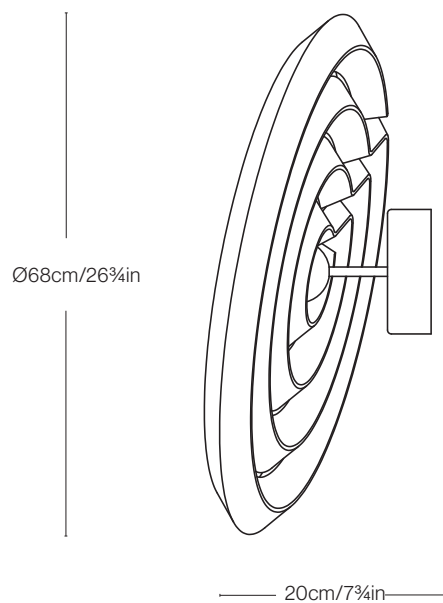
Please ensure that the plastic never comes into contact with acetone or other chemical cleaners. Regular dusting is recommended. Not suitable for use outdoors.





# Fresnel Wall L | SPECSHEET

kooij.com  
office@kooij.com  
+31 (0) 20 247 9600



## DIMENSIONS

$\text{Ø}68\text{cm}/26\frac{3}{4}\text{in}$   
W20cm/7 $\frac{3}{4}$ in

## WEIGHT

6kg/13lbs

## MATERIALS

Recycled plastic, aluminium

## COLOUR

Due to the recycled nature of our transparent source material, no two units will have an identical tint.

## ADJUSTMENT

Angle of lamp can be manually adjusted by swivelling shade around mounting ball.

## INSTALLATION

Mount directly to wall or ceiling.

## CANOPY

$\text{Ø}18\text{cm}/7\text{in}$ , 1.5kg/3lbs, tumbled aluminium finish

## ILLUMINATION

Replaceable LED modules

Max power consumption: 46 Watts

Light output: 4600 Lumen

Colour temperature: 2700K

95+ CRI

Life hours 50.000

## POWER SUPPLY

Integrated in canopy (multiple light power supply available by request)

Input: 120-277VAC, 0,6A, 50/60HZ

TRIAC/ELV/0-10V dimmable

## DIMMING

The Fresnel is equipped for MAINS dimming (TRIAC) and 0-10V.

## COMPLIANCE

CE, transformers (120-277V to 24V) comply with UL standards

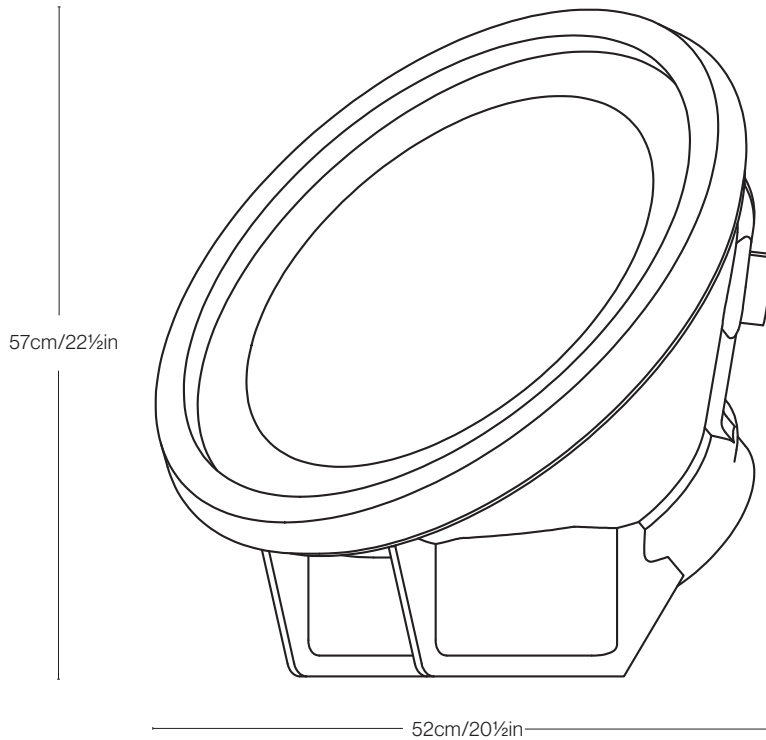
## CARE

Please ensure that the plastic never come into contact with acetone or other chemical cleaners. Regular dusting is recommended. Not suitable for use outdoors.



# Satellite | SPECSHEET

kooij.com  
office@kooij.com  
+31 (0) 20 247 9600



## DIMENSIONS

L52cm/20 1/2in  
W57cm/22 1/2in  
H57cm/22 1/2in

## WEIGHT

6kg/13lbs

## MATERIALS

Recycled plastic

## COLOUR

Due to the recycled nature of our transparent source material, no two units will have an identical tint.

## CORD

300cm/118in with EU or US plug.  
Other plugs are available upon request.

## ILLUMINATION

Replaceable LED modules  
Max. Power consumption:  
80 Watts  
Light output: 4000 Lumen  
Colour temperature: 2000K,  
3000K and 4000K  
Life hours: 50.000

## POWER SUPPLY

Integrated in base  
Input: 115VAC 1.14A, 230VAC 0.58A  
50/60Hz

## DIMMING

Manually adjustable in warmth and intensity with built-in rotary knobs.

## COMPLIANCE

CE, transformers (100-240V to 24V) comply with UL standards

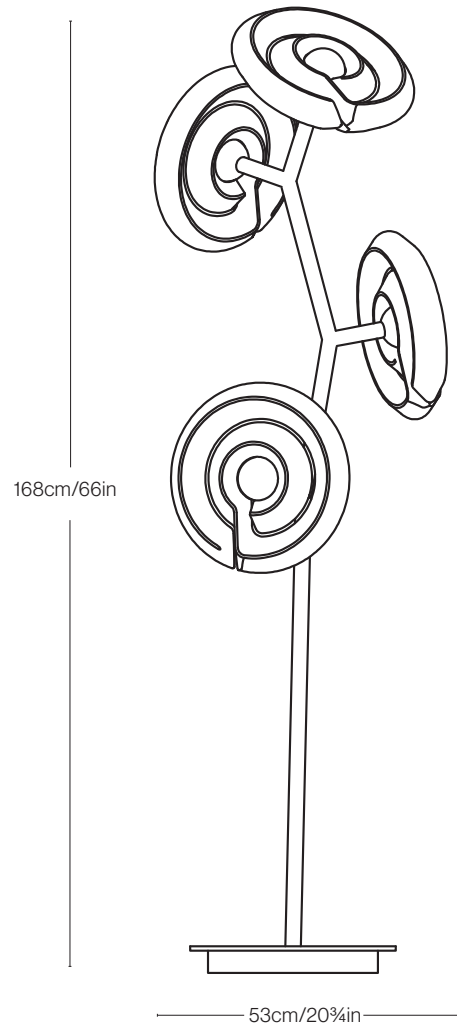
## CARE

Please ensure that the plastic never comes into contact with acetone or other chemical cleaners. Regular dusting is recommended. Not suitable for use outdoors.



# Sunflower H | SPECSHEET

kooij.com  
office@kooij.com  
+31 (0) 20 247 9600



## DIMENSIONS

L 70cm/27½in  
W 53cm/20¾in  
H 168cm/66in

**WEIGHT**  
25kg/55lbs

**MATERIALS**  
Recycled plastic, steel

**COLOUR**  
Due to the recycled nature of our transparent source material, no two units will have an identical tint.

## ADJUSTMENT

Angle of each lamp can be manually adjusted by swivelling shade around suspension ball.

**BASE**  
Ø45cm/18in, textured off-black powder-coat finish

**CORD**  
300cm/118in with EU or US plug. Other plugs are available upon request.

## ILLUMINATION

Replaceable LED modules  
Maximum power consumption: 86 Watts  
Light output: 8600 Lumens  
Colour Temperature: 2700K, 95+ CRI  
Life Hours: 50.000

**POWER SUPPLY**  
Integrated in base  
Input: 115VAC 0.7A, 230VAC 0.45A 50/60Hz

**DIMMING**  
Dimming hardware is built into the Sunflower, controlled by a footswitch on the baseplate

**COMPLIANCE**  
CE, transformers (100-240V to 24V) comply with UL standards

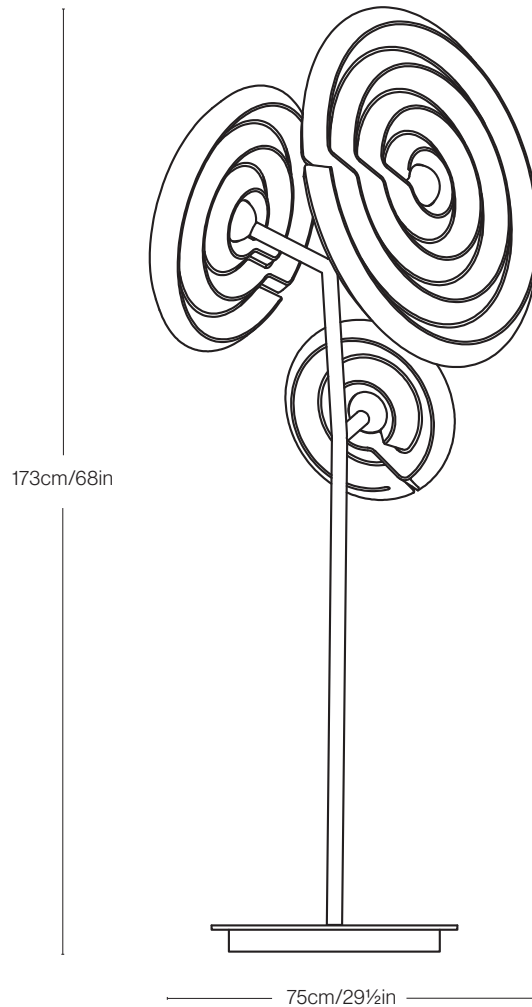
## CARE

Please ensure that the plastic never comes into contact with acetone or other chemical cleaners. Regular dusting is recommended. Not suitable for use outdoors.



# Sunflower YM | SPECSHEET

kooij.com  
office@kooij.com  
+31 (0) 20 247 9600



## DIMENSIONS

L75cm/29 1/2in  
W75cm/29 1/2in  
H173cm/68in

## WEIGHT

30kg/66lbs

## MATERIALS

Recycled plastic, steel

## COLOUR

Due to the recycled nature of our transparent source material, no two units will have an identical tint.

## ADJUSTMENT

Angle of each lamp can be manually adjusted by swivelling shade around suspension ball.

## BASE

Ø45cm/18in, textured off-black powder-coat finish

## CORD

300cm/118in with EU or US plug. Other plugs are available upon request.

## ILLUMINATION

Replaceable LED modules  
Maximum power consumption: 86 Watts  
Light output: 8600 Lumen  
Colour Temperature: 2700K, 95+ CRI  
Life Hours: 50.000

## POWER SUPPLY

Integrated in base  
Input: 115VAC 0.7A, 230VAC 0.45A  
50/60Hz

## DIMMING

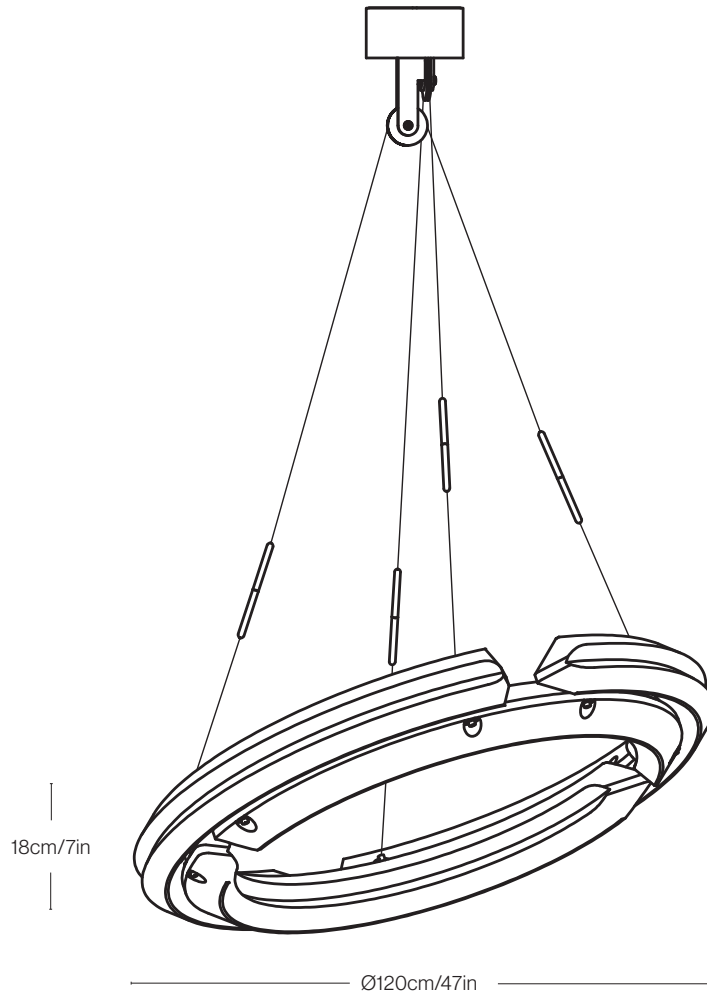
Dimming hardware is built into the Sunflower, controlled by a foot-switch on the baseplate

## COMPLIANCE

CE, transformers (100-240V to 24V) comply with UL standards

## CARE

Please ensure that the plastic never comes into contact with acetone or other chemical cleaners. Regular dusting is recommended. Not suitable for use outdoors.



**DIMENSIONS**

Ø120cm/47in  
H18cm/7in

**WEIGHT**

25kg/55lbs

**MATERIALS**

Recycled plastic, brass, steel

**COLOUR**

Due to the recycled nature of our transparent source material, no two units will have an identical tint.

**ADJUSTMENT**

Angle of fixture manually adjustable through tilting mechanism.

**SUSPENSION**

Suspension cables also serve to supply electricity adjustable on site within 150cm/59in to 500cm/197in (longer or shorter drops are available upon request)

**CANOPY**

20cm/8in  
RAL9010 finish

**ILLUMINATION**

Replaceable LED modules  
Max power consumption: 153 Watts  
Light output: 15300 Lumens  
Colour temperature: 2700K, 95+ CRI  
Life hours: 50.000

**POWER SUPPLY**

Integrated in canopy  
Input: 100-240VAC 1.7A 50/60Hz, 277VAC 0.7A 50/60Hz (North America only)

**DIMMING**

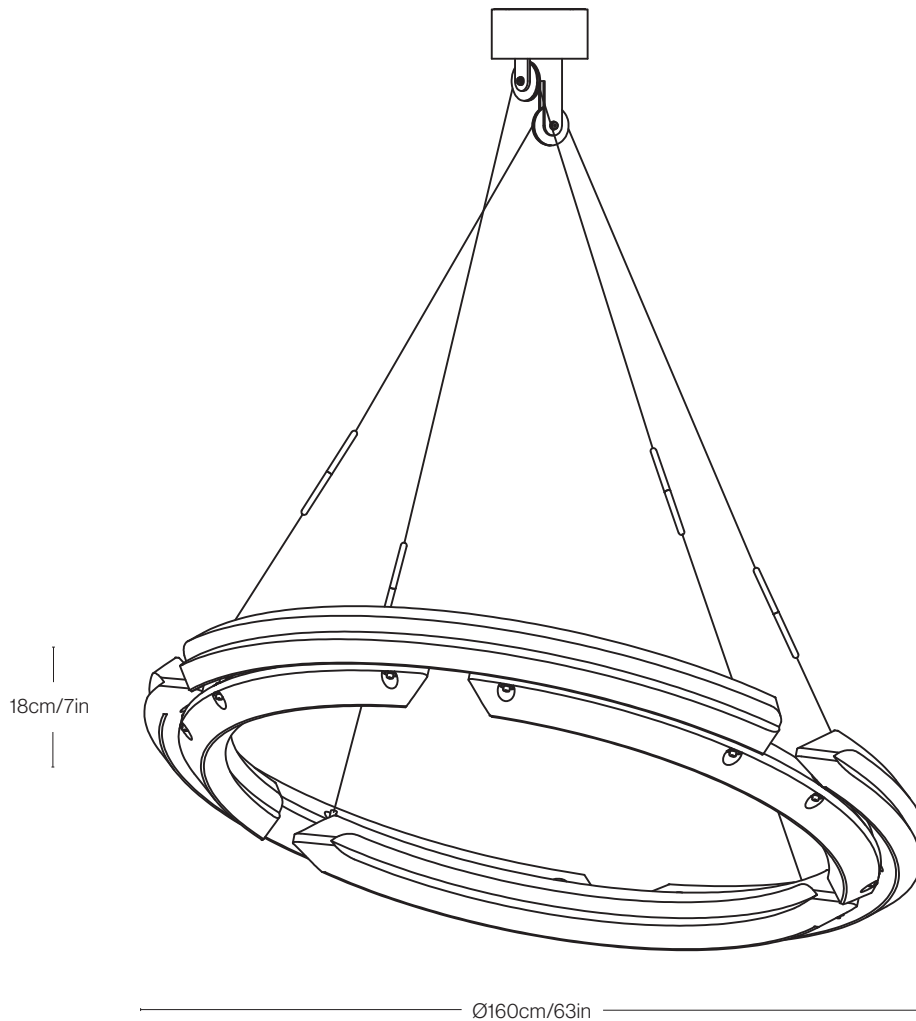
Dimming: Choice between 3 in 1 (resistance, 0-10VDC or 10VPWM) and DALI  
Life hours: 40.000

**COMPLIANCE**

CE, transformers (100-240V to 24V) comply with UL standards

**CARE**

Please ensure that the plastic never comes into contact with acetone or other chemical cleaners. Regular dusting is recommended. Not suitable for use outdoors.



**DIMENSIONS**

Ø160cm/63in  
H18cm/7in

**WEIGHT**

35kg/77lbs

**MATERIALS**

Recycled plastic, brass, steel

**COLOUR**

Due to the recycled nature of our transparent source material, no two units will have an identical tint.

**ADJUSTMENT**

Angle of fixture manually adjustable through hand-tilting mechanism.

**SUSPENSION**

Suspension cables also serve to supply electricity  
Adjustable on site within 150cm/59in to 500cm/197in  
Can be made longer upon request.

**CANOPY**

20cm/8in, 1kg/2.2lb, RAL9010 powder-coat finish

**ILLUMINATION**

Replaceable LED modules  
Max power consumption: 153 Watts  
Light output: 15300 Lumen  
Colour temperature: 2700K, 95+ CRI  
Life hours: 50.000

**POWER**

Integrated in canopy  
Input: 100-240VAC 1.7A 50/60Hz, 277VAC 0.7A 50/60Hz (North America only)

**DIMMING**

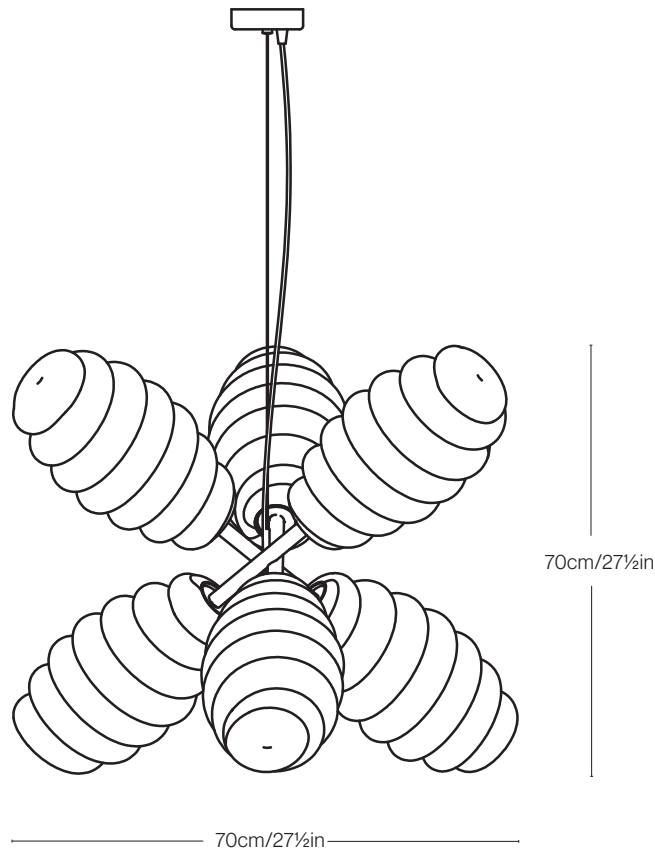
Dimming: Choice between 3 in 1 (Resistance, 0-10VDC or 10VPWM) and DALI  
Life hours: 40.000

**COMPLIANCE**

CE, transformers (100-240V to 24V) comply with UL standards

**CARE**

Please ensure that the plastic never comes into contact with acetone or other chemical cleaners. Regular dusting is recommended. Not suitable for use outdoors.



**DIMENSIONS**

L70cm/27½in  
W70cm/27½in  
H70cm/27½in

**WEIGHT**

7kg/15lbs

**MATERIALS**

Recycled plastic, brass, steel

**COLOUR**

Due to the recycled nature of our transparent source material, no two units will have an identical tint.

**SUSPENSION**

300cm/118in steel cable included. Longer cable available upon request.

**CANOPY**

10cm/3.9in, RAL9010 powder-coat finish

**ILLUMINATION**

Replaceable GU10 LED spots\*  
Input: 220VAC-240 0.12A 50/60Hz  
Max power consumption: 22 Watts  
Light output: 1560 Lumen  
Colour temperature: 2200-2700K  
Dim to warm, 90+ CRI  
Life hours: 25.000  
Dimming: Phase-cut  
\*Comes without spots for US clients.

**DIMMING**

Dimming is only possible with an external MAINS dimmer (TRIAC).

**COMPLIANCE**

CE

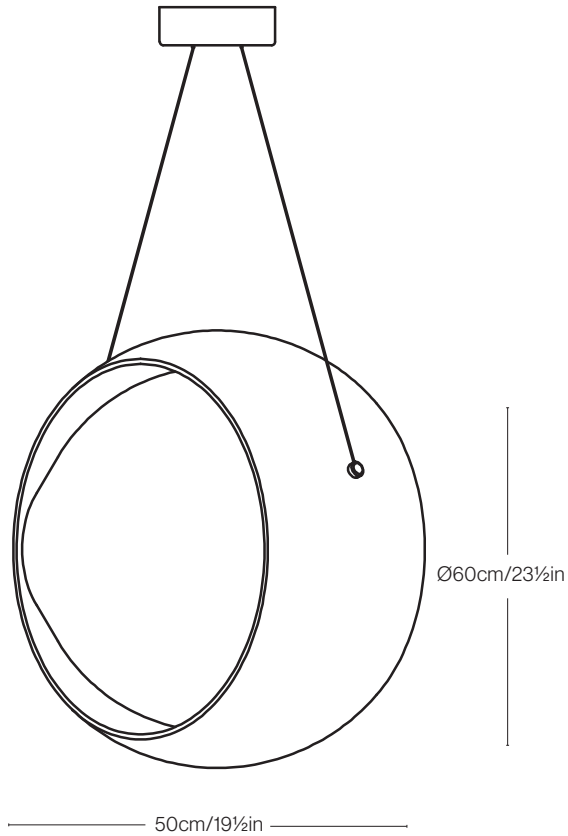
**CARE**

Please ensure that the plastic never comes into contact with acetone or other chemical cleaners. Regular dusting is recommended. Not suitable for use outdoors.



# Helm | SPECSHEET

kooij.com  
office@kooij.com  
+31 (0) 20 247 9600



## DIMENSIONS

Ø60cm / Ø23½in  
W50cm / W19½in

## WEIGHT

12.5kg/28lbs

## MATERIALS

Recycled plastic, brass, aluminium

## COLOUR

Due to the recycled nature of our transparent source material, no two units will have an identical tint.

## SUSPENSION

300cm/118in steel cable included. Longer cable available upon request. Electricity is supplied through suspension cable.

## CANOPY

21cm/8in, 5kg/11lbs  
in tumbled aluminium finish

## ILLUMINATION

Light output: 7000 Lumen  
Colour temperature: 2200K  
Life hours: 25.000  
Input: 0.32A/220VAC/47- 63Hz

## COMPLIANCE

CE

## DIMMING

TRIAC (Phase-cut)  
DALI (EU)  
1-10V(US)

## US SPECS

Input: 0.65A/115VAC/47- 63Hz  
Compliance: UL listed 115VAC parts.

## CARE

Please ensure that the plastic never comes into contact with acetone or other chemical cleaners. Regular dusting is recommended. Not suitable for use outdoors.